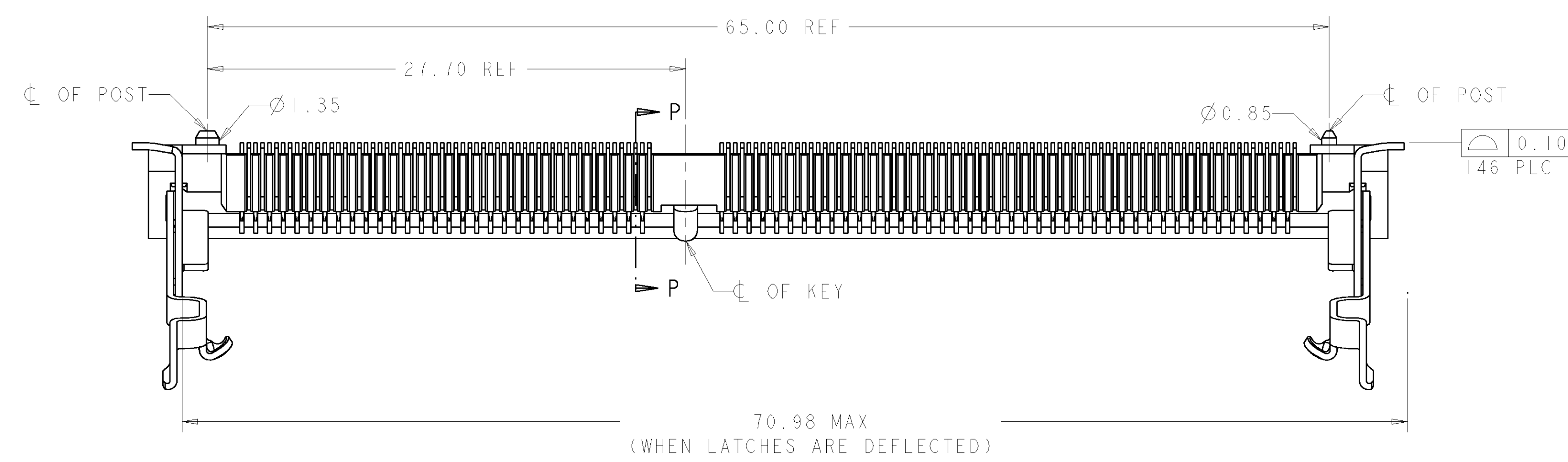
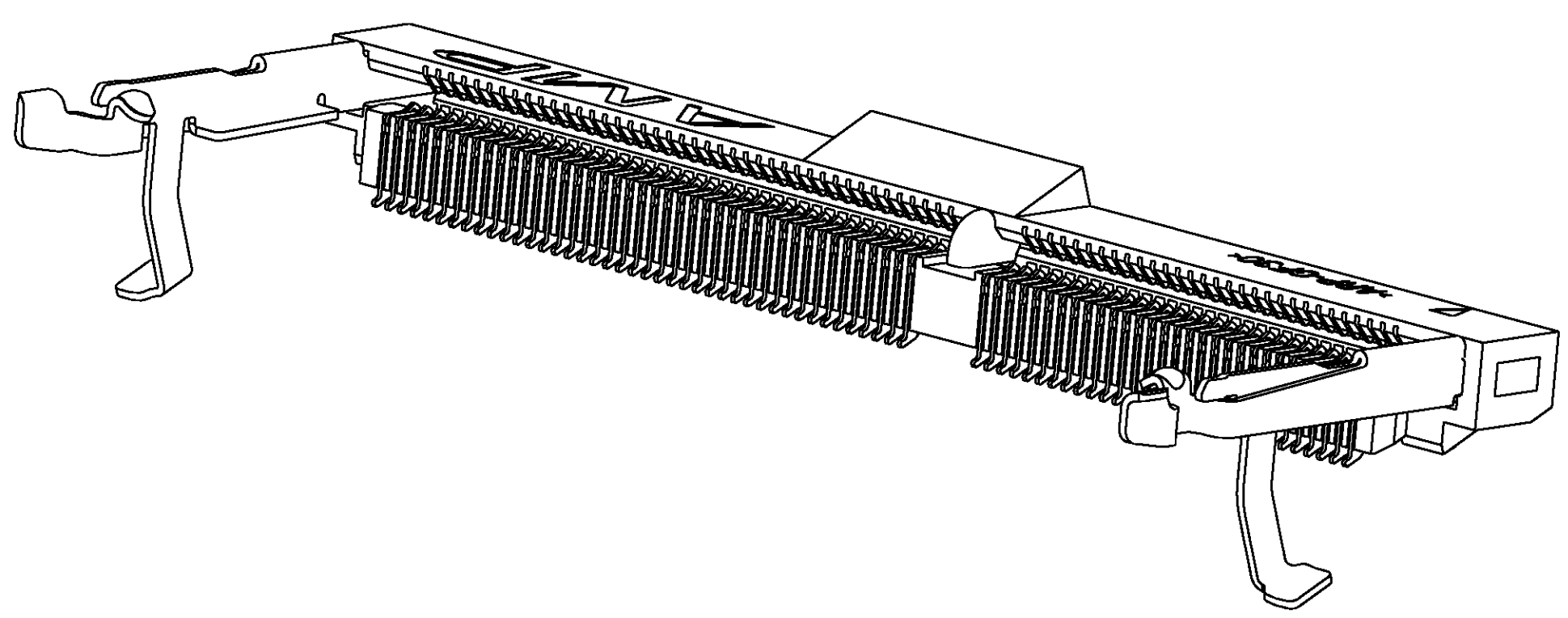
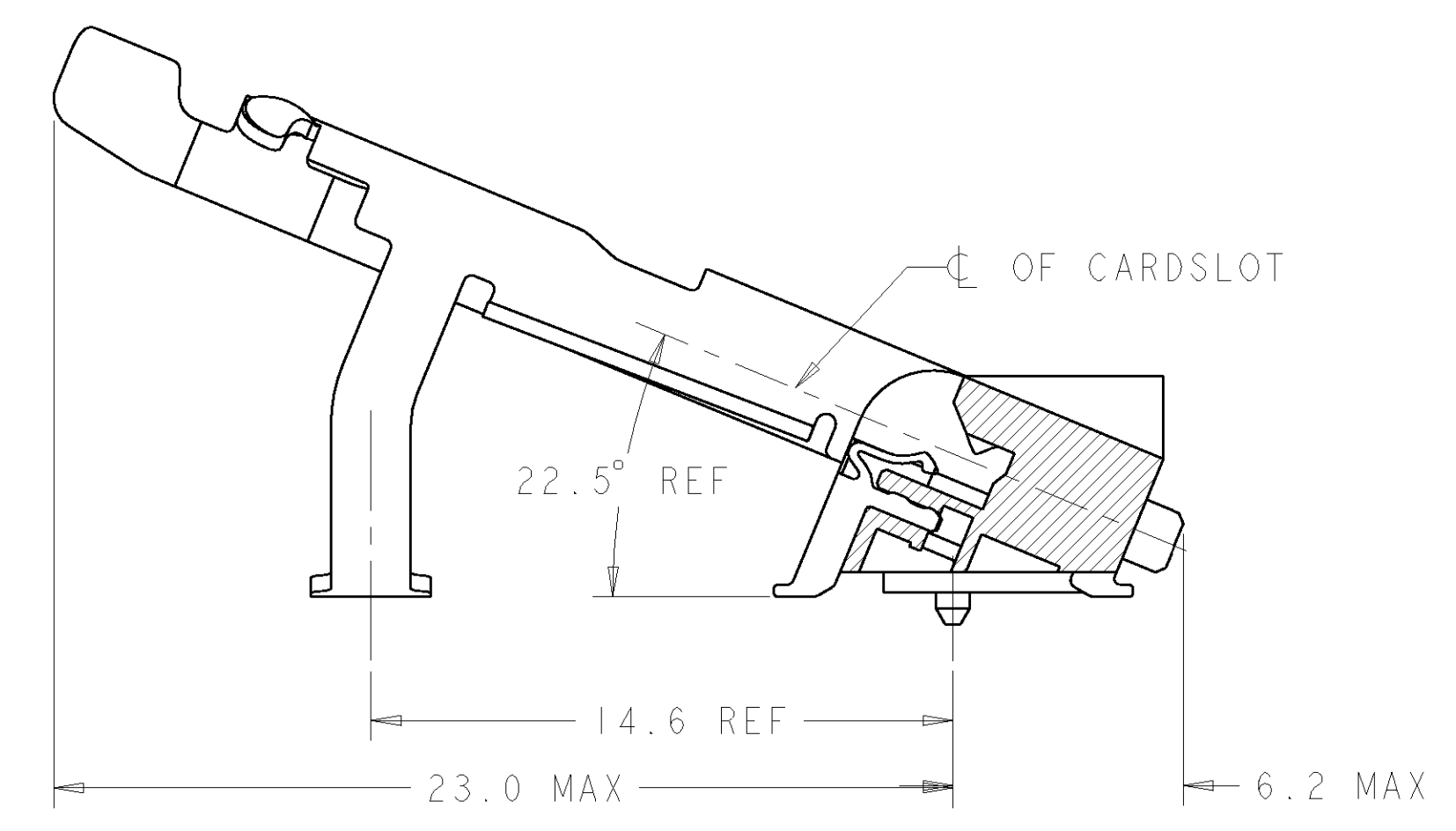
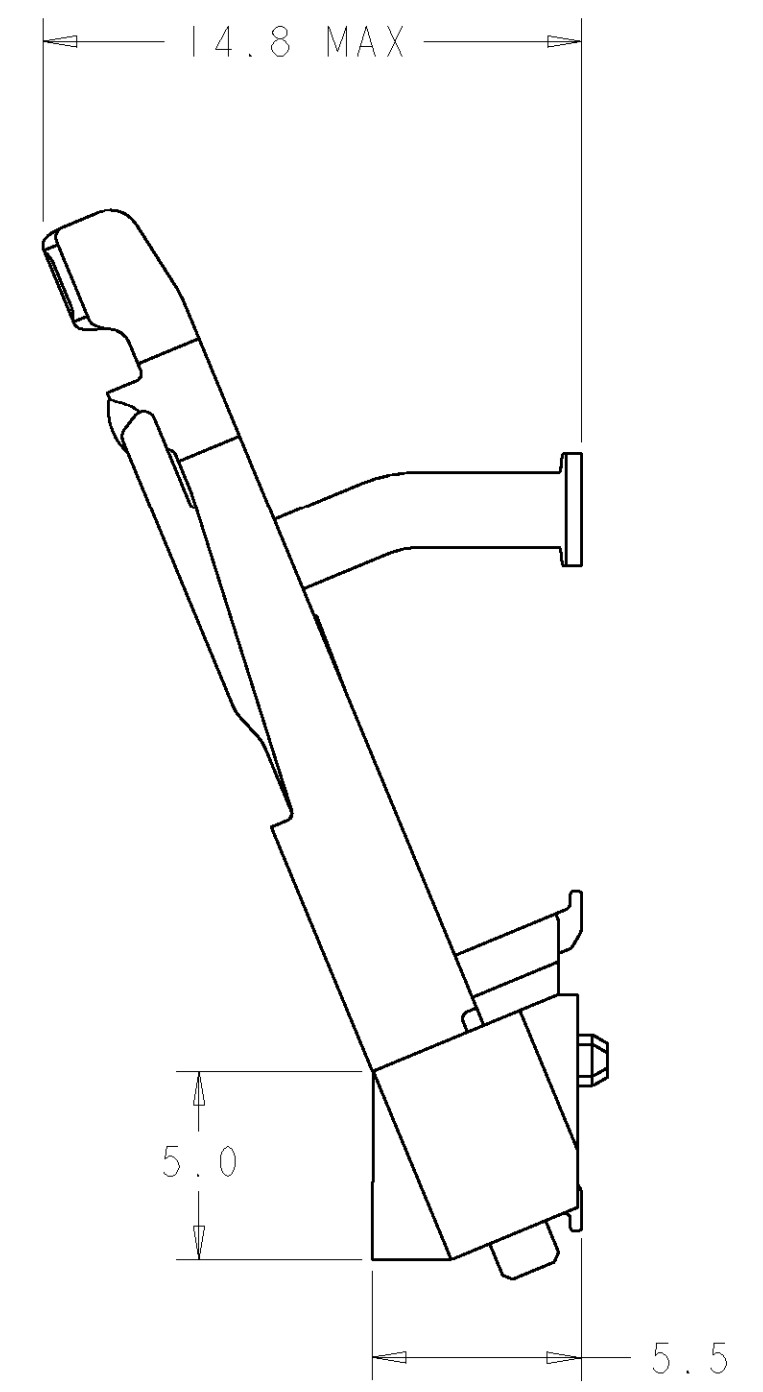
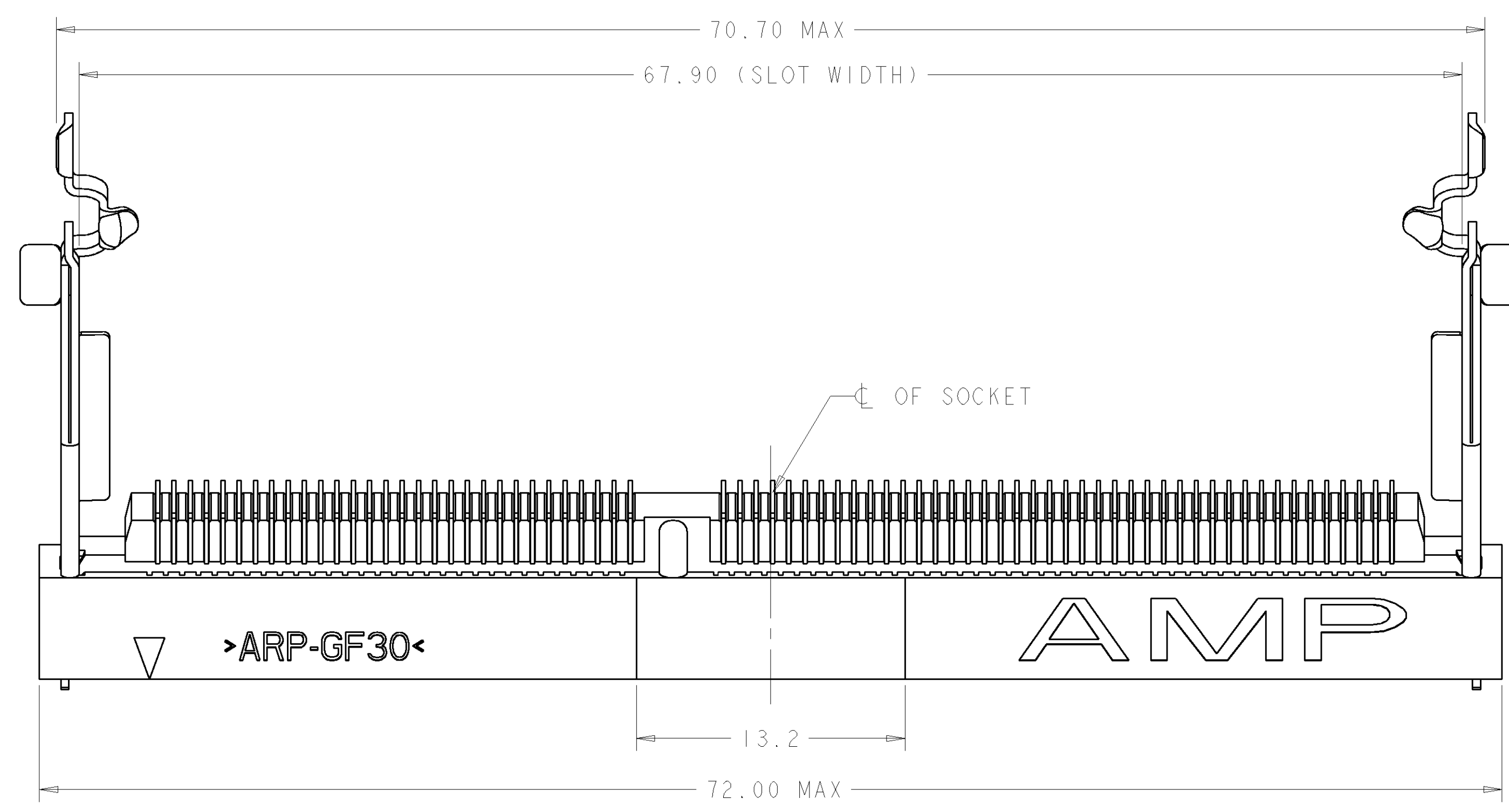


LOC		DIST		REVISIONS			
GP	0	P	LTR	DESCRIPTION	DATE	DWN	APVD
		A		RELEASED PER 0512-0632-04	21FEB05	MY	SB



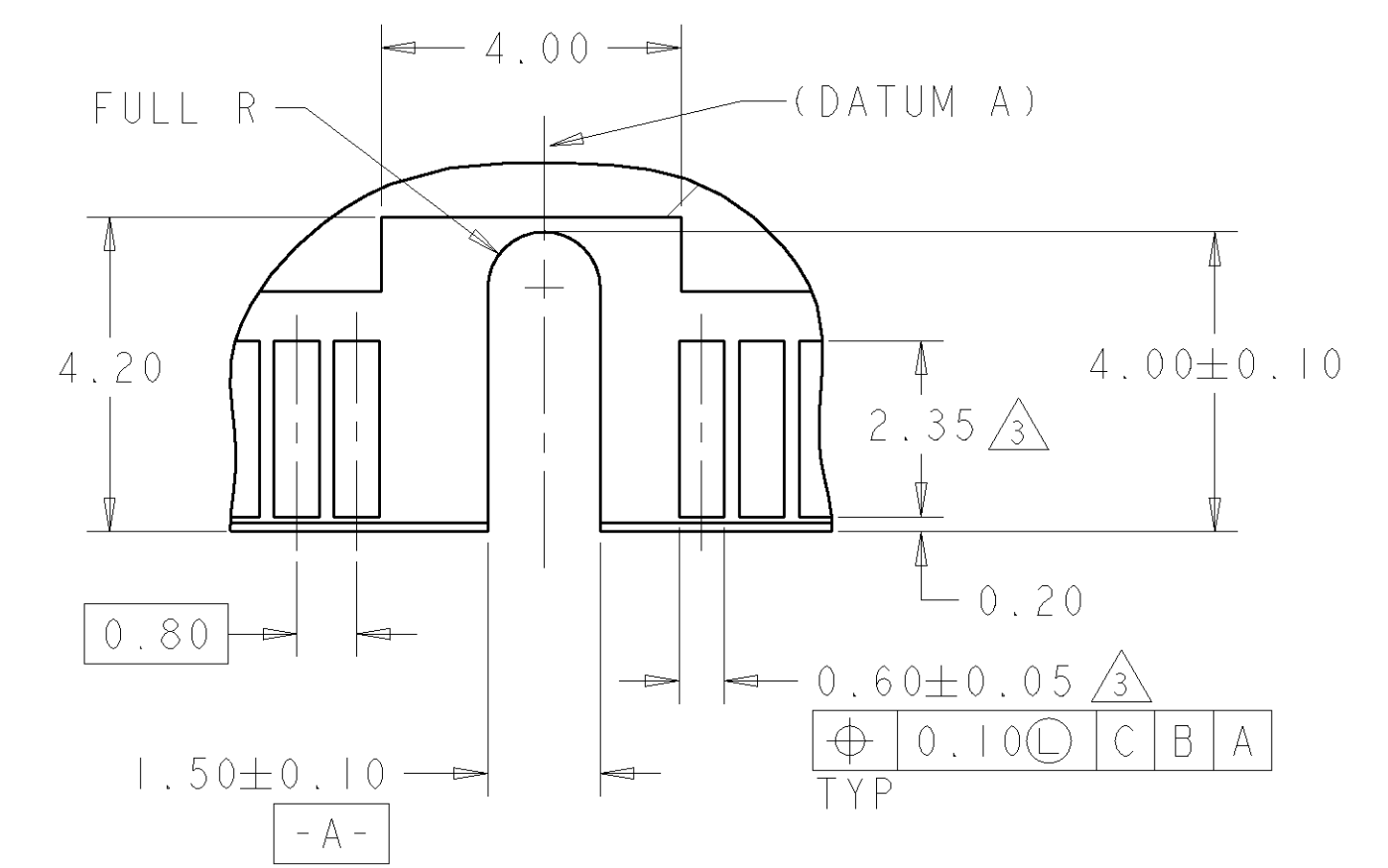
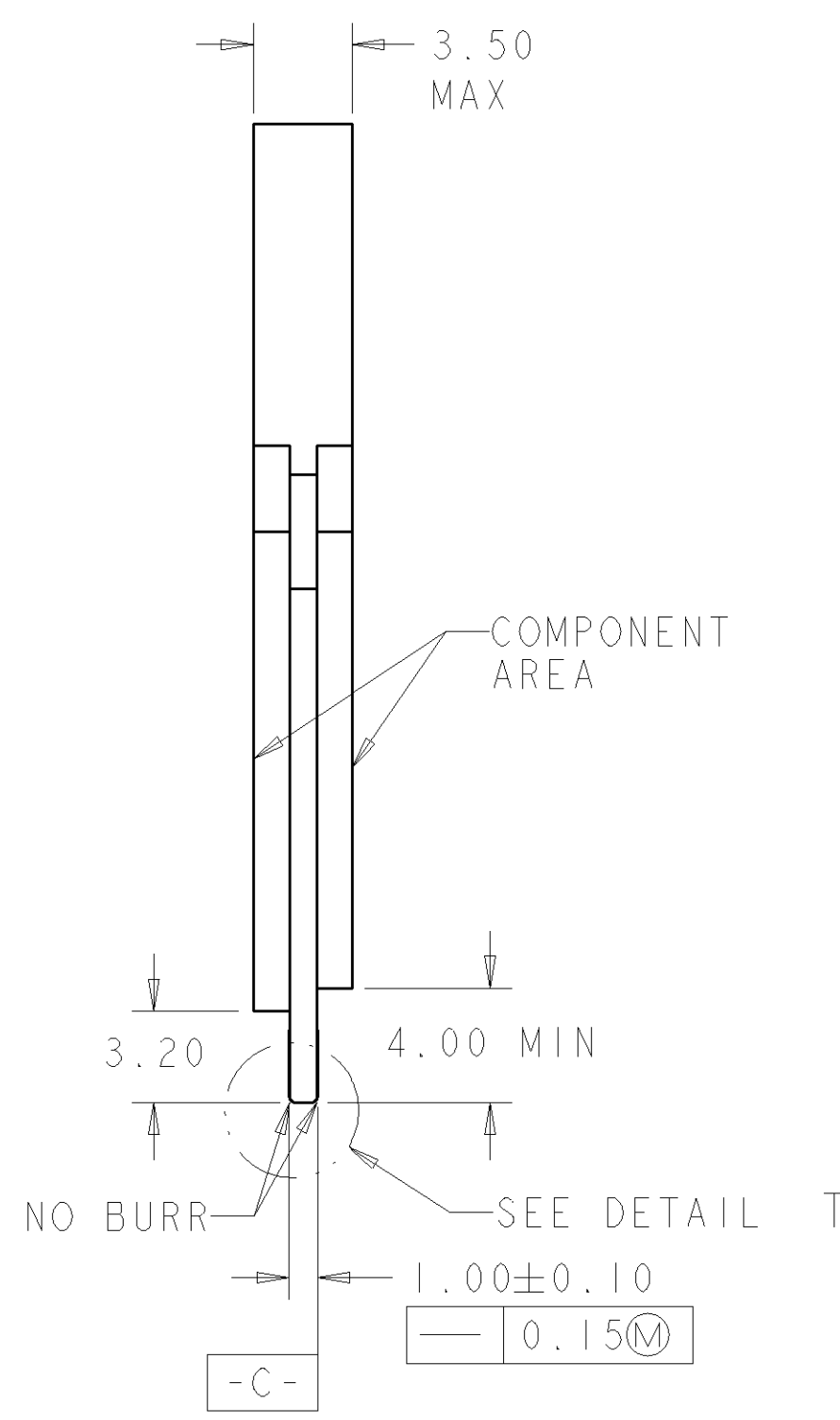
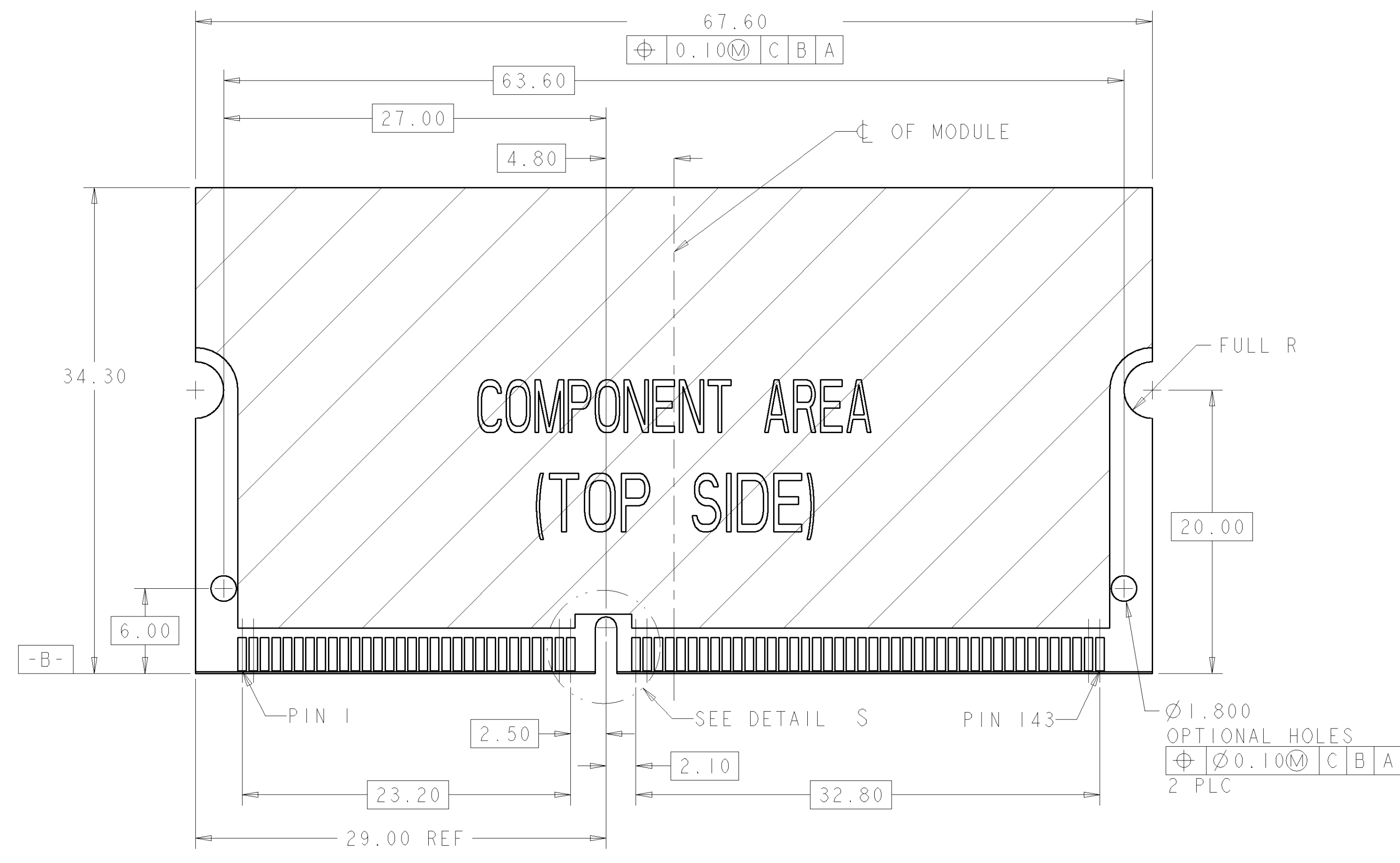
- 1 MATERIAL: HOUSING: HIGH TEMPERATURE PLASTIC - NATURAL
 LATCHES: STAINLESS STEEL UNS S30100
 CONTACTS: PHOSPHOROUS BRONZE
 SOLDER LEADS: PHOSPHOROUS BRONZE
- 2 FINISH: SOLDER LEADS: GOLD 0.00025 MIN IN CONTACT AREA
 MATTE TIN 0.0025 MIN ON SOLDER TAILS
 ALL OVER 0.00130 MIN. THICK NICKEL
 LATCHES: MATTE TIN 0.0025 MIN OVER
 NICKEL 0.00130 MIN.
- 3 MODULE BOARD PAD FINISH: FOR OPTIMUM PERFORMANCE
 SMOOTH AND FLAT
 0.00075 MIN THICK GOLD OVER
 0.00200 MIN THICK NICKEL.



SECTION P-P
 SCALE 6:1

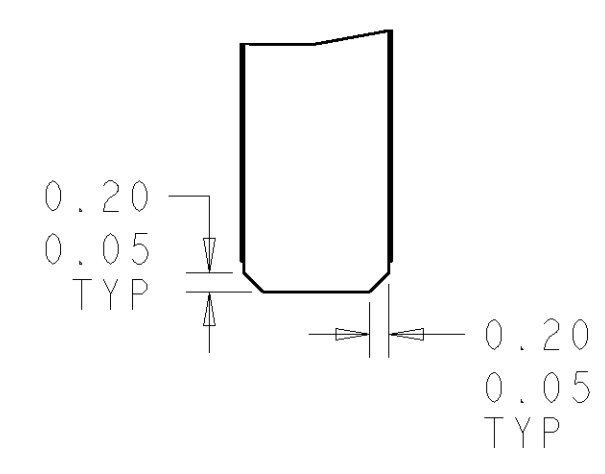
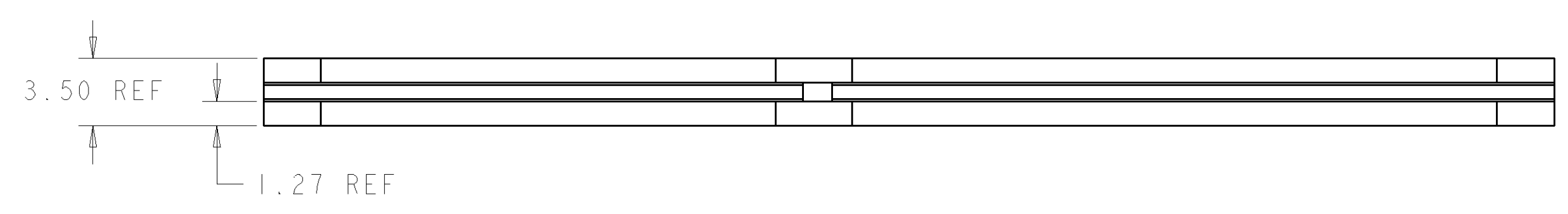
DRAM 3.3V		144	6368063-1
POWER SUPPLY		POSN	PART NUMBER
DWN M. YEOMANS 21FEB05		AMP Incorporated	
ENR M. YEOMANS 21FEB05		Harrisburg, PA 17105-3608	
APVD S. BURKHOLDER 21FEB05		NAME ANGLED S.O. DIMM SOCKET ASSEMBLY	
PRODUCT SPEC		0.8mm PITCH, 144 POSN, 22.5 DEGREES	
APPLICATION SPEC		TILT FOR DRAM TYPE MODULE	
MATERIAL		SIZE	CAGE CODE DRAWING NO
FINISH		WEIGHT	RESTRICTED TO
CUSTOMER DRAWING		A100779C=6368063	SCALE 5:1 SHEET 1 OF 3 REV A

LOC	DIST	REVISIONS				
GP	0	P. LTR	DESCRIPTION	DATE	DWN	APVD
-	-	SEE SHEET 1				

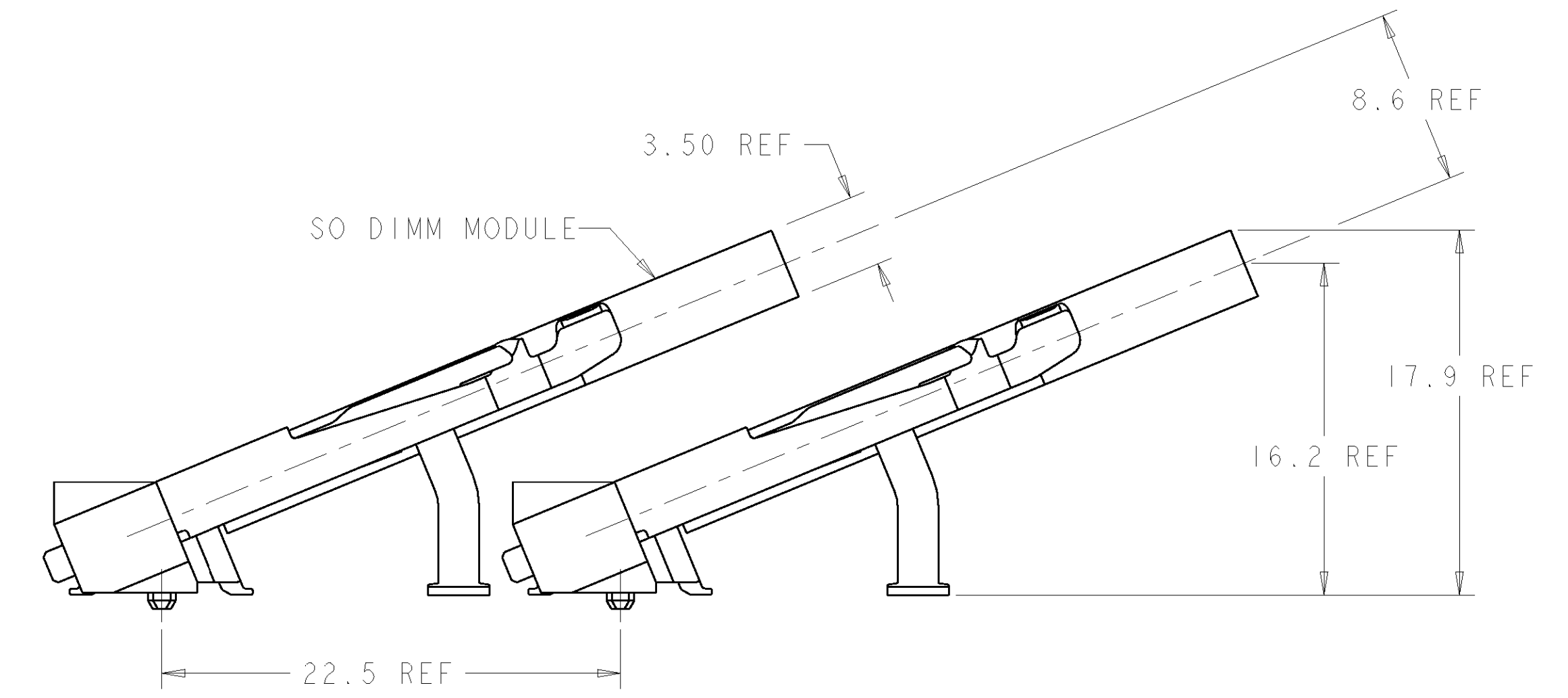
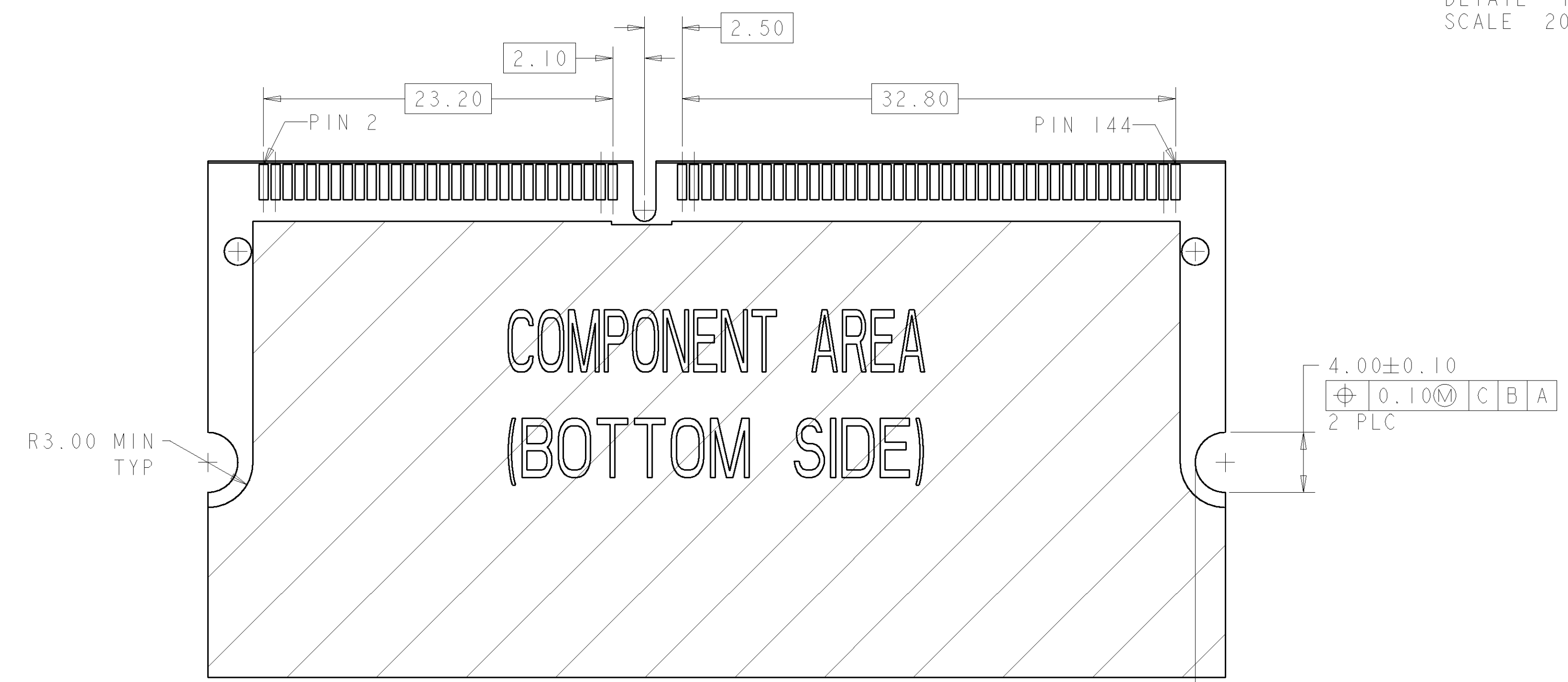


DETAIL S
 SCALE 10:1

SO DIMM MODULE
 SCALE 4:1
 (REFER TO JEDEC ITEM MO-190
 FOR COMPLETE MODULE SPECIFICATIONS)



DETAIL T
 SCALE 20:1

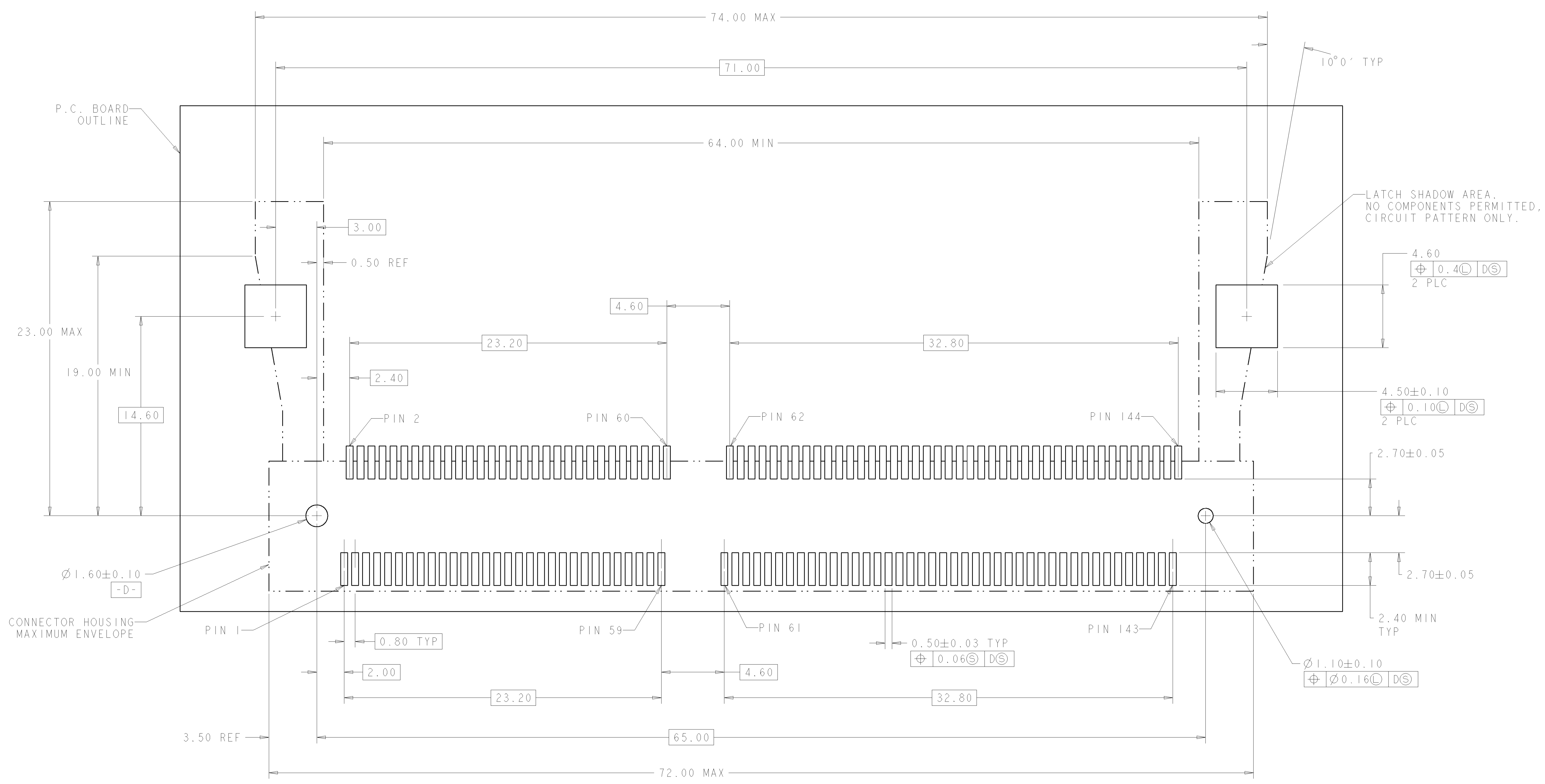


SOCKET TO SOCKET
 SCALE 4:1

2.00 MIN
 2 PLC

<small>THIS DRAWING IS UNPUBLISHED. RELEASED FOR PUBLICATION BY TYCO ELECTRONICS CORPORATION. ALL RIGHTS RESERVED.</small>		DWN M. YEOMANS 21FEB05 ENR M. YEOMANS 21FEB05 APVD S. BURKHOLDER 21FEB05	tyco Electronics AMP Incorporated Harrisburg, PA 17105-3608
DIMENSIONS: mm \varnothing	TOLERANCES UNLESS OTHERWISE SPECIFIED: 0 PLC ± 1 PLC ±0.3 2 PLC ±0.20 3 PLC ± 4 PLC ± ANGLES ±1°	NAME PRODUCT SPEC APPLICATION SPEC WEIGHT CUSTOMER DRAWING	NAME PRODUCT SPEC APPLICATION SPEC WEIGHT CUSTOMER DRAWING
MATERIAL FINISH		SIZE CAGE CODE DRAWING NO A100779C-6368063	RESTRICTED TO SCALE 4:1 SHEET 2 OF 3 REV A

LOC	DIST	REVISIONS				
GP	0	P. LTR	DESCRIPTION	DATE	DWN	APVD
-	-	SEE SHEET 1				



RECOMMENDED MOTHERBOARD FOOTPRINT
 SCALE 7:1

DIMENSIONS:		TOLERANCES UNLESS OTHERWISE SPECIFIED:		DWN		APVD		NAME	
mm	0 PLC ±	1 PLC ±0.3	2 PLC ±0.20	3 PLC ±	4 PLC ±	M. YEOMANS	21FEB05	M. YEOMANS	21FEB05
	ANGLES ±					S. BURKHOLDER	21FEB05	ANGLED S.O. DIMM SOCKET ASSEMBLY	
								0.8mm PITCH, 144 POSN, 22.5 DEGREES	
								TILT FOR DRAM TYPE MODULE	
MATERIAL		FINISH		WEIGHT		SIZE	CAGE CODE	DRAWING NO	RESTRICTED TO
-		-		-		A1100779	C=6368063		
CUSTOMER DRAWING				SCALE	5:1	SHEET	3	OF	3
				REV				A	